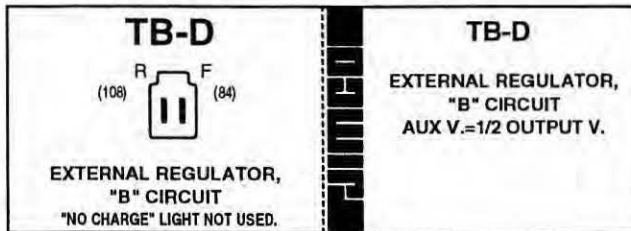
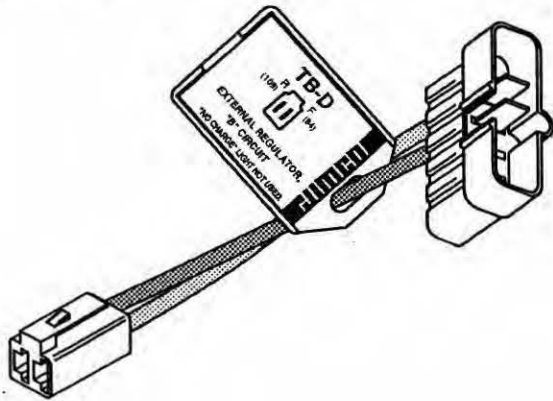
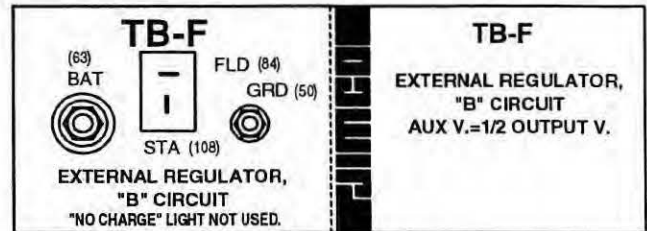
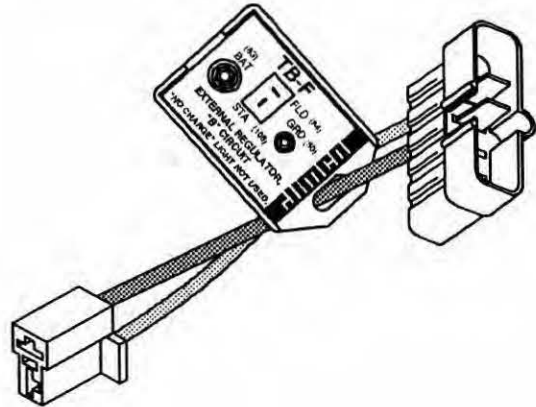


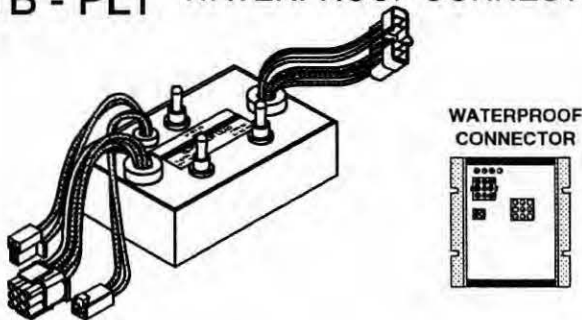
### "DELCO 10DN" STYLE, EXTERNAL REG. TB - D



### SIDE TERMINAL, EXTERNAL REG. TB - F

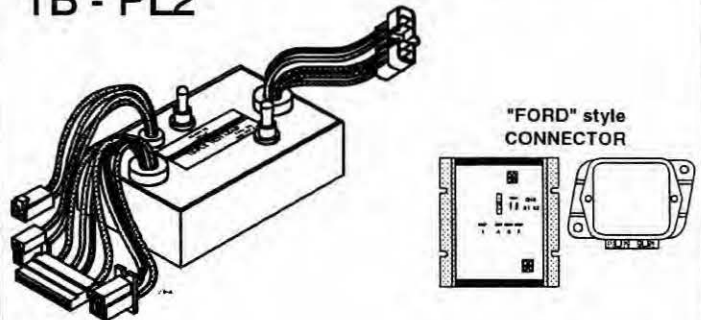


### EXTERNAL REGULATOR WITH TB - PL1 WATERPROOF CONNECTOR



- Verifies correct regulator operation and interaction with the alternator.
- Allows you to show your customer that both the **alternator** and **regulator** are operational - **together!**
- Operates regulator in all modes: "IGNITION" turn-on; "NO CHARGE indicator light" turn-on; and "AC self-exciting" turn-on.
- Operates regulator as: INTERNAL sense; BATTERY 1 sense; BATTERY 2 sense.
- Compatible with both Delco and Ford style alternator plugs.
- Tests both 12 and 24 volt units (TB-24V indicator light adapter required for 24 volt).

### "FORD" STYLE, EXTERNAL REGULATOR TB - PL2



- Verifies correct regulator operation and interaction with the alternator.
- Allows you to show your customer that both the **alternator** and **regulator** are operational - **together!**
- Operates regulator in all modes: "IGNITION" turn-on; "NO CHARGE indicator light" turn-on;.
- Operates regulator as: INTERNAL sense; BATTERY 1 sense; BATTERY 2 sense.
- Compatible with both Delco and Ford style alternator plugs.
- Tests both 12 and 24 volt units (TB-24V indicator light adapter required for 24 volt).